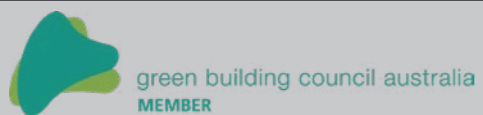


SOLART CILIUM FOLDING LOUVRE

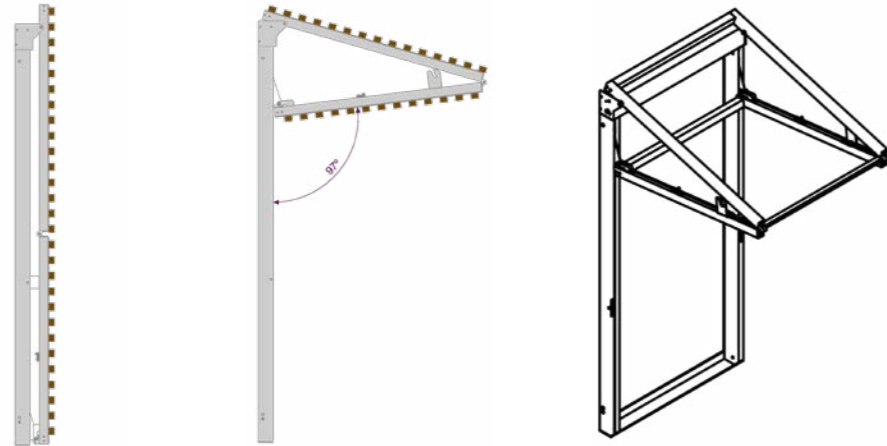




# SOL'ART CILIUM FOLDING LOUVRE

Combined with RENSON, INNOWOOD is now offering electrical converging shutter wing design system, SOL'ART InnoShade and InnoScreen products combined with the RENSON Cilium folding louvre system creating the possibility to design and realise a seamless facade that changes at the flick of a switch. Changing from a completely screened wall, to a complication with shaded windows.

SOL'ART CILIUM can be applied in residential, industry and commercial buildings suited for applications that would like to seamlessly transform from a privacy screen in front of windows to a horizontal sunshade in the open position above the window. This can be integrated discretely to exterior walls with identical screening or as a separate element constructed in front of a window.



The system is available in two Louvre types with two maximum panel size: 1200 x 3000mm and 1600 x 3000mm.

The blades are water resistant and available in four beautiful prefinished colours.

## WHY SOL'ART CILIUM

Sol'art Cilium reflects the sun's rays before they come in contact with the glazing, which prevents overheating in summer, lowering air conditioning.







The image was provide by RENSON®



The image was provide by RENSON®

During cold months the sun's rays have a lower angle of incidence; by folding the louvres the sun's rays can pass through the glazing to heat and light the interior spaces.



PROFILES				
PRODUCT CODE	LB04535	LB04040	LB06516	LB06616
MAX SPAN	1600mm	900mm	900mm	900mm
COVERAGE	45/35mm	40mm	65mm	66mm
PREMIUM COLOURS	Available	Available	Available	Available

## BENEFITS & FEATURES

Aesthetic and sturdy facade treatment;  
Blades in Innowood composite timber – give a natural & warm feature to the facade;  
Simple installation;  
Continuous, linear line of blades give a modern contemporary finish;  
Low-maintenance: high-quality composite timber, that replicates for natural weathering.

## PREMIUM COLOURS & FINISHES

Colour Options  
Lily White, Premium Oak, Golden Oak, Tasmanian Oak, Dark Oak, Urban Oak and Kiwi Oak

Surface Finish Options  
Smooth and Brushed



\*\* Please bear in mind that colours may appear slightly different on delivery due to different printer and monitor settings.



The image was provide by RENSON®